

Measuring Instructions

Panel Quilts

The insulating panel is custom cut in one-inch increments to meet your specifications. Order the actual outside dimensions desired, allowing one inch on each side for Velcro mounting strips. (Fig. 1).

1. WIDTH:

On the window casing, lay out the position where the Velcro hook strips will be attached. Check #3 below for available sizes. Order overall dimensions desired. Again, allow one inch of mounting surface for each strip.

2. HEIGHT:

For the height desired, again position the Velcro hook strips, top and bottom, to the nearest whole inch. Here, too, you need to allow one inch of mounting surface for each strip. In the case where a sill is involved, the bottom strip may lay flat on the sill plate (at a 90 degree angle), and thus the measurement would be from the top of the Panel Quilt to the sill plus one inch (Fig. 1).

If no sill is available, attach the strip to the frame at the bottom of the window.

3. SIZES:

WIDTHS: 8" to 105" WHOLE INCH INCREMENTS ONLY

HEIGHTS: 8" to 144" WHOLE INCH INCREMENTS

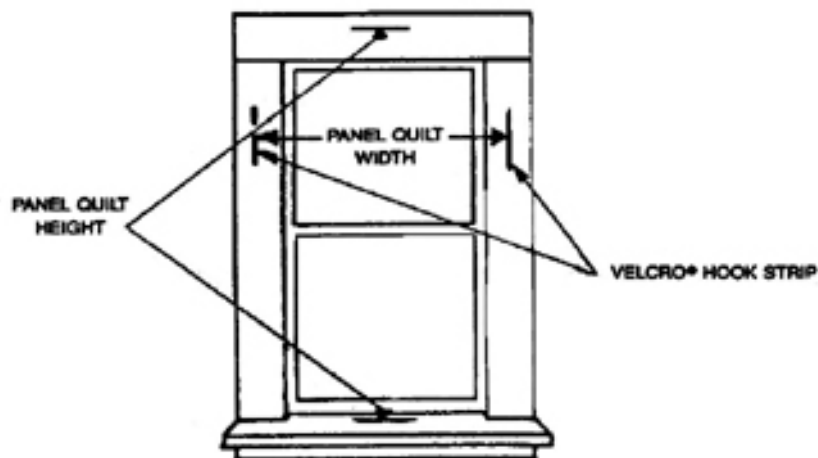


Figure 1.
WITH SILL